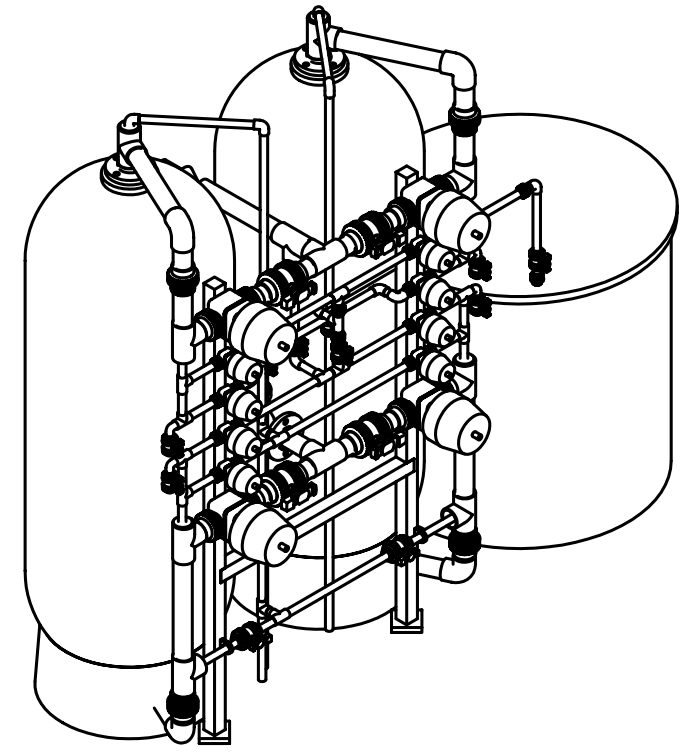
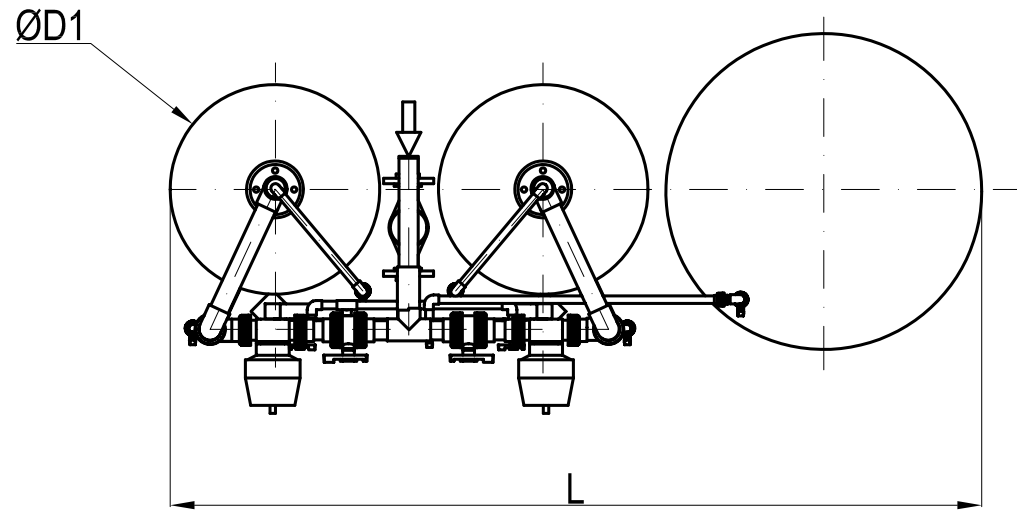



Raw water in
 Brine in
 Back wash water out
 Back wash water in
 Rinsing water out
 Soft water out



| | | | | |
|----------------------|--|------|----------------|--|
| Rev. Nr. Rev. No. | Datum Date | Name | Kunde / Client | KARRASCH & ECKERT Gesellschaft für Wassertechnologie mbH Viehtrift 1, D-29308 Winsen/Aller http://www.karrasch-eckert.de/  |
| Gezeichnet Drawn | | | - | |
| Geprüft Checked | | | - | |
| Maßstab Scale | | | | |
| 1:25 | Softening Plant Duplex plant with single valves Dimensional drawing | | | Zeichn. Nr. Drawing No. Komm. Nr. Job No. Kennwort Code Word Referenznr. Rev. Index 00 |
| Größe Size | A3 | | | |